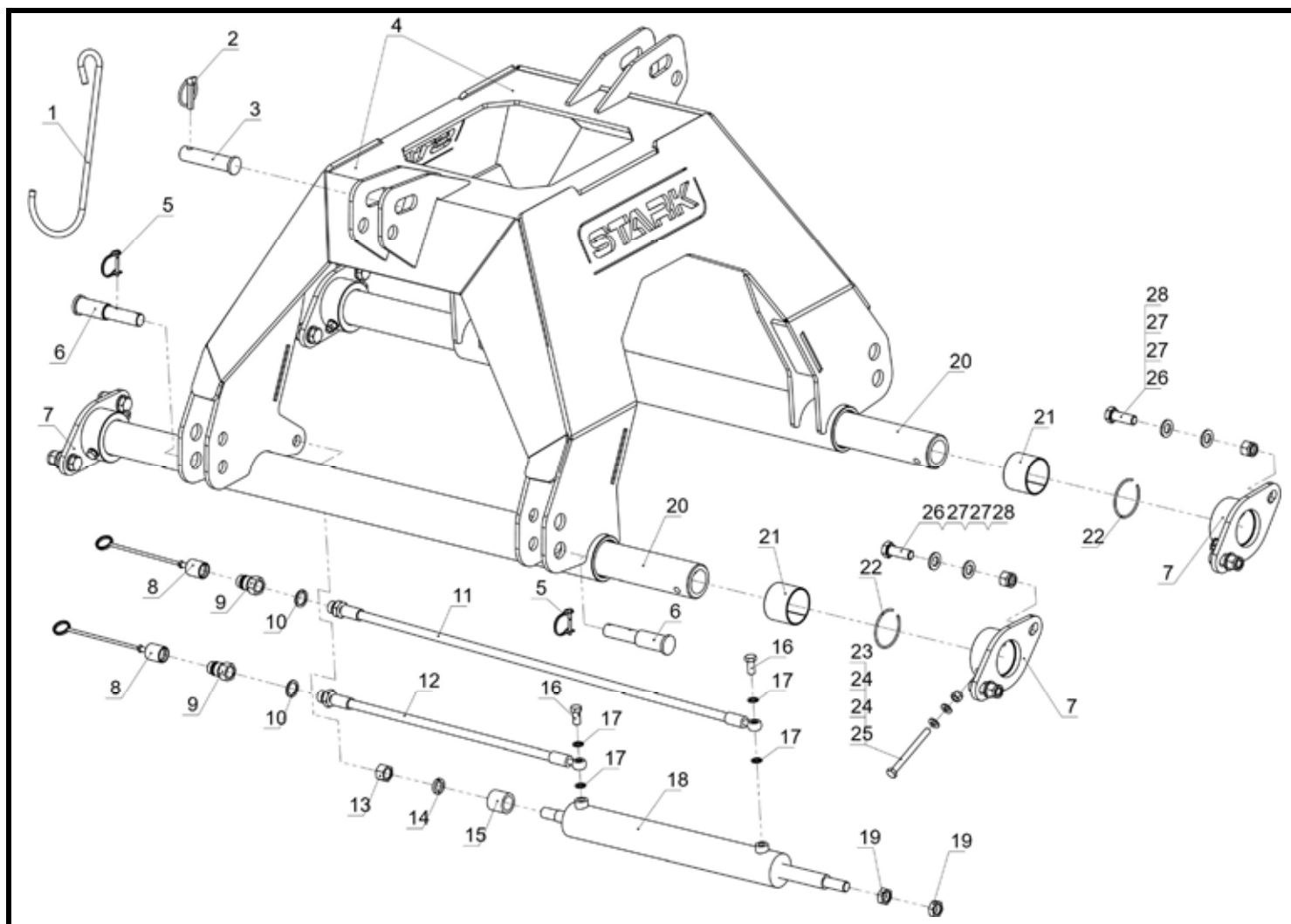


## ASSEMBLY DRAWING LIST



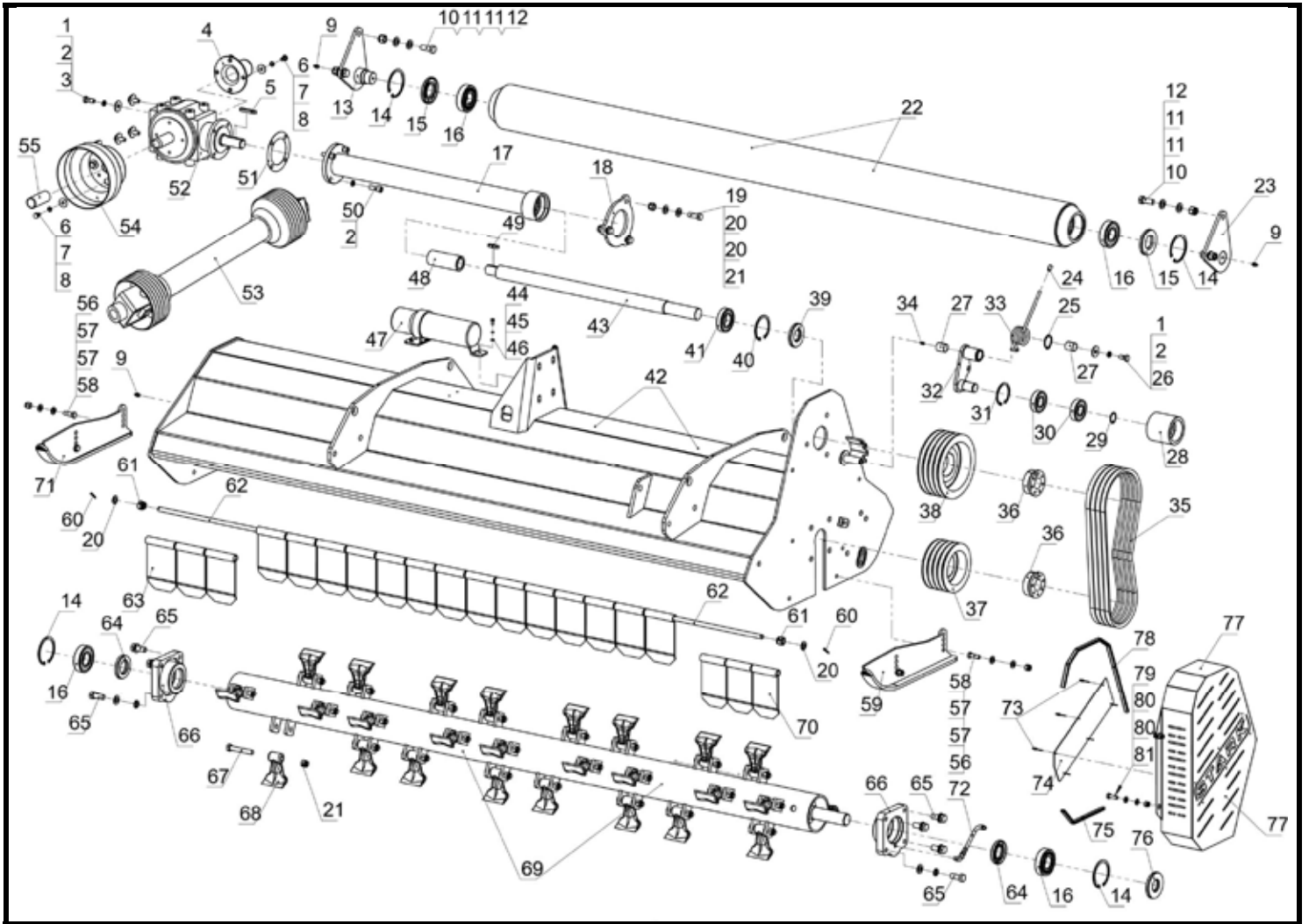
### KDX PROFI three-point linkage

| Ser.No | Code    | Name & Specification                               | Quantity | Remarks                                   |
|--------|---------|--|----------|---|
| 1      | 100002  | <a href="#">Nivelakselin koukku</a>                | 1        | KDL, KDLP, KDS, KDX, KDXP, KM, KMHP, KSP  |
| 2      | 100003  | <a href="#">Rengassokka</a>                        | 1        | KDL, KDLP, KDX, KDXP, KM, KMHP            |
| 3      | 400038  | <a href="#">Ylempi työntövarren kiinnitystappi</a> | 1        | KDL, KDX, KDXP                            |
| 4      | 700004  | <a href="#">KytKentäkolmio KDXP</a>                | 1        | KDXP                                      |
| 5      | 400034  | <a href="#">Rengassokka 4.5</a>                    | 2        | KDLP, KDX, KDXP                           |
| 6      | 700006  | <a href="#">Vetovarren tappi KDXP</a>              | 2        | KDXP                                      |
| 7      | 700007  | <a href="#">Tangon kiinnityslaippa KDXP</a>        | 4        | KDXP                                      |
| 8      | 200004  | <a href="#">Pikaliittimen suoja</a>                | 2        | KDL, KDLP, KDS, KDX, KDXP, KM, KMHP, KSHP |
| 9      | 200005  | <a href="#">Pikaliitin G1/2</a>                    | 2        | KDL, KDLP, KDS, KDX, KDXP, KM, KMHP, KSHP |
| 10     | 200006  | <a href="#">Usit-tiiviste G1/2</a>                 | 2        | KDL, KDLP, KDS, KDX, KDXP, KM, KMHP, KSHP |
| 11     | 200010  | <a href="#">Letku 1900mm</a>                       | 1        | KMH, KMHP, KDX, KDXP, KSHP                |
| 12     | 200007  | <a href="#">Letku 1500 mm</a>                      | 1        | KMH, KMHP, KDX, KDXP, KSHP                |
| 13     | N000012 | <a href="#">Mutteri M18x1.5</a>                    | 1        | KMH, KMHP, KDX, KDXP, KSHP                |

### KDX PROFI three-point linkage

| Ser.No | Code    | Name & Specification                                  | Quantity | Remarks  |
|--------|---------|---|----------|--|
| 14     | W000005 | <a href="#">Jousiprikka 18</a>                        | 1        | KMH, KMHP, KDX, KDXP, KSHP                     |
| 15     | 200013  | <a href="#">Sylinterin pusla</a>                      | 1        | KMH, KMHP, KDX, KDXP, KSHP                     |
| 16     | 200008  | <a href="#">Banjopultti</a>                           | 2        | KDL, KDLP, KDS, KDX, KDXP, KMH, KMHP, KSHP     |
| 17     | 200009  | <a href="#">Usit-tiiviste 12</a>                      | 4        | KDL, KDLP, KDS, KDX, KDXP, KMH, KMHP, RS, KSHP |
| 18     | 400028  | <a href="#">Sylinteri</a>                             | 1        | KDX220-240, KDXP180-240                        |
| 19     | N000018 | <a href="#">Sivuttaissiirron lukkomutteri M18x1.5</a> | 2        | KMH, KMHP, KDX, KDXP, KSHP                     |
| 20     | 400021  | <a href="#">Liukuputki KDX220-240/KDXP180-240</a>     | 2        | KDX220-240, KDXP180-240                        |
| 21     | 400016  | <a href="#">Laakeriholkki 60x65x50</a>                | 4        | KDX220-240, KDXP180-240                        |
| 22     | S000016 | <a href="#">Lukkosokka läpimitta 65 KDX/KDXP</a>      | 4        | KDX220-240, KDXP180-240                        |
| 23     | N000030 | <a href="#">Lukkomutteri M10</a>                      | 4        | KDL, KDLP, KDS, KMHP, KDX, KDXP, KS, RS, KSP   |
| 24     | W000014 | <a href="#">Prikka 10</a>                             | 8        | KDL, KDLP, KDS, KMHP, KDX, KDXP, KS, RS, KSP   |
| 25     | B000016 | <a href="#">Pultti M10x110 KDX/KDXP</a>               | 4        | KDX220-240, KDXP180-240                        |
| 26     | B000103 | <a href="#">Pultti M16x45</a>                         | 8        | KDL, KDX, KDXP                                 |
| 27     | W000017 | <a href="#">Prikka 16</a>                             | 16       | KDL, KDLP, KDX, KDXP                           |
| 28     | N000033 | <a href="#">Lukkomutteri M16</a>                      | 8        | KDL, KDLP, KDX, KDXP, KM, KMHP, KSP            |

## ASSEMBLY DRAWING LIST



### KDX PROFI series

| Ser.No | Code    | Name & Specification               | Quantity | Remarks  |
|--------|---------|------------------------------------|----------|--|
| 1      | W000010 | <a href="#">Iso priikka 12</a>     | 5        | KDL, KDLP, KDS, KM, KMHP, KDX, KDXP, KSP         |
| 2      | W000002 | <a href="#">Jousipriikka 12</a>    | 9        | KDL, KDLP, KDS, KM, KMHP, KDX, KDXP, RS          |
| 3      | B000084 | <a href="#">Pultti M12x30</a>      | 4        | KDL, KDLP, KDS, KM, KMHP, KDX, KDXP, RS          |
| 4      | 400044  | <a href="#">Akselin suoja</a>      | 1        | KMHP, KDX, KDXP                                  |
| 5      | K000009 | <a href="#">Avain A10x65</a>       | 1        | KM, KMHP, KDX, KDXP                              |
| 6      | B000073 | <a href="#">Pultti M10x16</a>      | 8        | KDL, KDLP, KDS, KM, KMHP, KDX, KDXP              |
| 7      | W000001 | <a href="#">Jousipriikka 10</a>    | 8        | KDL, KDLP, KDS, KM, KMHP, KDX, KDXP, KS, RS, KSP |
| 8      | W000009 | <a href="#">Iso priikka 10</a>     | 8        | KDL, KDLP, KDS, KM, KMHP, KDX, KDXP, KS, KSP     |
| 9      | 600078  | <a href="#">Rasvanipat M10</a>     | 3        | KDL, KDLP, KDX, KDXP, KMHP, RS                   |
| 10     | B000102 | <a href="#">Pultti M16x40 KDXP</a> | 4        | KDLP, KDXP                                       |
| 11     | W000017 | <a href="#">Priikka 16</a>         | 8        | KDL, KDLP, KDX, KDXP                             |
| 12     | N000033 | <a href="#">Lukkomutteri M16</a>   | 4        | KDL, KDLP, KDX, KDXP, KM, KMHP, KSP              |

**KDX PROFI series**

| Ser.No | Code     | Name & Specification                                 | Quantity | Remarks                           |
|--------|----------|--|----------|-----------------------------------|
| 13     | 700041   | <a href="#">Tukirullan kiinnike. oikea KDLP/KDXP</a> | 1        | KDXP, KDLP                        |
| 14     | S000010  | <a href="#">Lukkosokka läpimitta 90</a>              | 4        | KDL, KDLP, KDX, KDXP              |
| 15     | OS000008 | <a href="#">Stefa 45x90x10</a>                       | 2        | KDL, KDLP, KDX, KDXP              |
| 16     | 400063   | <a href="#">Laakeri 6308-RZ</a>                      | 4        | KDL, KDLP, KDX, KDXP              |
| 17     | 400350   | <a href="#">Vetoakselin suoja 180 KDXP</a>           | 1        | KDXP                              |
|        | 400066   | <a href="#">Vetoakselin suoja 200/220</a>            | 1        | KDX200-220, KDXP200-220           |
|        | 400067   | <a href="#">Vetoakselin suoja 240</a>                | 1        | KDX240, KDXP240                   |
| 18     | 700047   | <a href="#">Vetoakselin tukilevy KDXP</a>            | 1        | KDXP                              |
| 19     | B000097  | <a href="#">Pultti M16x40</a>                        | 3        | KM, KDX, KDXP                     |
| 20     | W000016  | <a href="#">Prikka 14</a>                            | 8        | KDL, KDLP, KM, KDX, KDXP, KSP     |
| 21     | N000032  | <a href="#">Lukkomutteri M14</a>                     | N        | KDL, KDLP, KM, KDX, KDXP, KS, KSP |
| 22     | 500054   | <a href="#">Takarulla 180</a>                        | 1        | KDL, KDX, KDXP                    |
|        | 400087   | <a href="#">Takarulla 200</a>                        | 1        | KDL, KDX, KDXP                    |
|        | 400088   | <a href="#">Takarulla 220</a>                        | 1        | KDL, KDX, KDXP                    |
|        | 400089   | <a href="#">Takarulla 240</a>                        | 1        | KDX, KDXP                         |
| 23     | 700054   | <a href="#">Takarullan kiinnike.vasen KDLP/KDXP</a>  | 1        | KDLP, KDXP                        |
| 24     | 700055   | <a href="#">Tulppa KDXP</a>                          | 1        | KDXP                              |
| 25     | S000017  | <a href="#">Lukkosokka läpimitta 40 KDXP</a>         | 1        | KDXP                              |
| 26     | B000083  | <a href="#">Pultti M12x25</a>                        | 1        | KDL, KDXP                         |
| 27     | 700058   | <a href="#">Laakeriholkki 25x28x30 KDXP</a>          | 2        | KDXP                              |
| 28     | 700059   | <a href="#">Kirstyspyörä</a>                         | 1        | KDXP                              |
| 29     | S000018  | <a href="#">Lukkosokka läpimitta 30</a>              | 1        | KDXP, RS                          |
| 30     | 700061   | <a href="#">Laakeri 6306-2RZ</a>                     | 2        | KDXP, RS                          |
| 31     | S000008  | <a href="#">Lukkosokka läpimitta 72</a>              | 1        | KDXP                              |
| 32     | 700063   | <a href="#">Kirstyslaite</a>                         | 1        | KDXP                              |
| 33     | 700064   | <a href="#">Kirstysjousi</a>                         | 1        | KDXP                              |
| 34     | 000094   | <a href="#">Rasvanippa M6</a>                        | 1        | KDXP, KS, KSP                     |
| 35     | 700066   | <a href="#">Hihna KDLP/KDXP 17x1270</a>              | 4        | KDLP, KDXP                        |
| 36     | 400083   | <a href="#">Kirstin 40x80</a>                        | 2        | KDL, KDLP, KDX, KDXP              |
| 37     | 400086   | <a href="#">KDLP/KDX/KDXP Pieni kiilapyörä</a>       | 1        | KDLP, KDX, KDXP                   |
| 38     | 400084   | <a href="#">KDLP/KDX/KDXP iso kiilapyörä</a>         | 1        | KDLP, KDX, KDXP                   |
| 39     | OS000011 | <a href="#">Stefa 40x80x10</a>                       | 1        | KDX, KDXP                         |
| 40     | S000009  | <a href="#">Lukkosokka läpimitta 80</a>              | 1        | KDX, KDXP                         |
| 41     | 400070   | <a href="#">Laakeri 6208-2RZ</a>                     | 1        | KDX, KDXP                         |
| 42     | 718000   | <a href="#">Terälaitteen runko KDXP 180</a>          | 1        | KDXP                              |
|        | 700073   | <a href="#">Terälaitteen runko KDXP 200</a>          | 1        | KDXP                              |
|        | 700074   | <a href="#">Terälaitteen runko KDXP 220</a>          | 1        | KDXP                              |
|        | 700075   | <a href="#">Terälaitteen runko KDXP 240</a>          | 1        | KDXP                              |

## KDX PROFI series

| Ser.No | Code     | Name & Specification                                 | Quantity | Remarks  |
|--------|----------|--|----------|--|
| 43     | 400249   | <a href="#">Vetoakseli 180</a>                       | 1        | KDXP   |
|        | 400049   | <a href="#">Vetoakseli 200/220</a>                   | 1        | KDX200-220, KDXP200-220                          |
|        | 400050   | <a href="#">Vetoakseli 240</a>                       | 1        | KDX240, KDXP240                                  |
| 44     | B000143  | <a href="#">Kotelon kiinnitysruuvi M6x10</a>         | 3        | KDLP, KDXP, KS                                   |
| 45     | W000024  | <a href="#">Jousiprikka 6</a>                        | 3        | KDLP, KDXP, KS                                   |
| 46     | W000025  | <a href="#">Prikka 6</a>                             | 3        | KDLP, KDXP, KS, KSP                              |
| 47     | 000029   | <a href="#">Ohjekirjan kotelo</a>                    | 1        | KDLP, KDXP                                       |
| 48     | 100060   | <a href="#">Booriakselin suoja</a>                   | 1        | KM, KMHP, KDX, KDXP                              |
| 49     | K000001  | <a href="#">Avain A10x 40</a>                        | 1        | KM, KMHP, KDX, KDXP                              |
| 50     | B000146  | <a href="#">Kuusiokoloruuvi M12x35</a>               | 4        | KM, KMHP, KDX, KDXP                              |
| 51     | 100030   | <a href="#">Tiiviste</a>                             | 1        | KM, KMHP, KDX, KDXP                              |
| 52     | 400042   | <a href="#">Kulmavaihde KDX</a>                      | 1        | KMHP, KDX, KDXP                                  |
| 53     | 400093   | <a href="#">Nivelakseli OSB1000</a>                  | 1        | KDX, KDXP  |
| 54     | 000024   | <a href="#">Booriakselin suojus kulmavaihteeseen</a> | 1        | KDL, KDLP, KDS, KM, KMHP, KDX, KDXP, KSP         |
| 55     | 000030   | <a href="#">Kulmavaihteen akselin suoja</a>          | 1        | KDL, KDLP, KDS, KM, KMHP, KDX, KDXP, KS          |
| 56     | N000031  | <a href="#">Lukkomutteri M12</a>                     | 4        | KDL, KDLP, KDS, KM, KMHP, KDX, KDXP, KS, RS, KSP |
| 58     | B000085  | <a href="#">Pultti M12x35</a>                        | 4        | KDL, KDLP, KDS, KM, KMHP, KDX, KDXP, KS, RS, KSP |
| 59     | 400111   | <a href="#">Tukisuksi, vasen</a>                     | 1        | KDL, KDLP, KDX, KDXP, KMHP                       |
| 60     | P000005  | <a href="#">Pintisokka Ø4x25</a>                     | 2        | KDL, KDLP, KDS, KM, KMHP, KDX, KDXP, KS, RS, KSP |
| 61     | N000034  | <a href="#">Lukkomutteri M18</a>                     | 2        | KDL, KDLP, KDX, KDXP                             |
| 62     | 500110   | <a href="#">Etupellin akseli 180</a>                 | 1        | KDL, KDLP, KDX, KDXP                             |
|        | 400096   | <a href="#">Etupellin akseli 200</a>                 | 1        | KDL, KDLP, KDX, KDXP                             |
|        | 400097   | <a href="#">Etupellin akseli 220</a>                 | 1        | KDL, KDX, KDXP                                   |
|        | 400098   | <a href="#">Etupellin akseli 240</a>                 | 1        | KDX, KDXP  |
| 63     | 700099   | <a href="#">Etupelti, iso KDLP/KDXP</a>              | N        | KDLP, KDXP                                       |
| 64     | OS000009 | <a href="#">Stefa 45x80x10</a>                       | 2        | KDL, KDLP, KDX, KDXP                             |
| 65     | 400101   | <a href="#">Laippalaakerin pultti M16x40</a>         | 8        | KDL, KDLP, KDX, KDXP                             |
| 66     | 400103   | <a href="#">Laippalaakeri</a>                        | 2        | KDL, KDLP, KDX, KDXP                             |
| 67     | B000039  | <a href="#">Pultti vasaraterään M14x90 (10.9)</a>    | N        | KDL, KDLP, KDX, KDXP                             |
| 68     | 400108   | <a href="#">Vasaraterä</a>                           | N        | KDL, KDLP, KDX, KDXP                             |
| 69     | 410000   | <a href="#">Terärumpu KDLP/KDX/KDXP 180</a>          | 1        | KDLP, KDX, KDXP                                  |
|        | 400104   | <a href="#">Terärumpu KDLP/KDX/KDXP 200</a>          | 1        | KDLP, KDX, KDXP                                  |
|        | 400105   | <a href="#">Terärumpu KDLP/KDX/KDXP 220</a>          | 1        | KDLP, KDX, KDXP                                  |
|        | 400106   | <a href="#">Terärumpu KDX 240</a>                    | 1        | KDX, KDXP  |
| 70     | 700108   | <a href="#">Etupelti, pieni KDXP</a>                 | N        | KDLP, KDXP                                       |
| 71     | 400094   | <a href="#">Tukisuksi, oikea</a>                     | 1        | KDL, KDLP, KDX, KDXP, KMHP                       |
| 72     | 700110   | <a href="#">Rasvanipan jatkoputki KDXP</a>           | 1        | KDXP   |
| 73     | B000148  | <a href="#">Niitti ø4x8 KDXP</a>                     | 6        | KDXP   |
| 74     | 700112   | <a href="#">Hihnakotelon kiinnitysalusta KDXP</a>    | 1        | KDXP   |
| 75     | 700113   | <a href="#">U-tiiviste 0.3m KDXP</a>                 | 0.3m     | KDXP   |
| 76     | OS000010 | <a href="#">Stefa 40x90x10</a>                       | 1        | KDL, KDLP, KDX, KDXP                             |

**KDX PROFI series**

| <b>Ser.No</b> | <b>Code</b> | <b>Name &amp; Specification</b>  | <b>Quantity</b> | <b>Remarks</b>                               |
|---------------|-------------|----------------------------------|-----------------|--|
| 77            | 700115      | <a href="#">Hihnakotelo KDXP</a> | 1               | KDXP   |
| 78            | 700116      | <a href="#">U-tiiviste 0.7m</a>  | 0.7m            | KDXP   |
| 79            | N000030     | <a href="#">Lukkomutteri M10</a> | 4               | KDL, KDLP, KDS, KMHP, KDX, KDXP, KS, RS, KSP |
| 80            | W000014     | <a href="#">Prikka 10</a>        | 8               | KDL, KDLP, KDS, KMHP, KDX, KDXP, KS, RS, KSP |
| 81            | B000076     | <a href="#">Pultti M10x30</a>    | 4               | KDL, KDS, KDXP, RS, KSP                      |